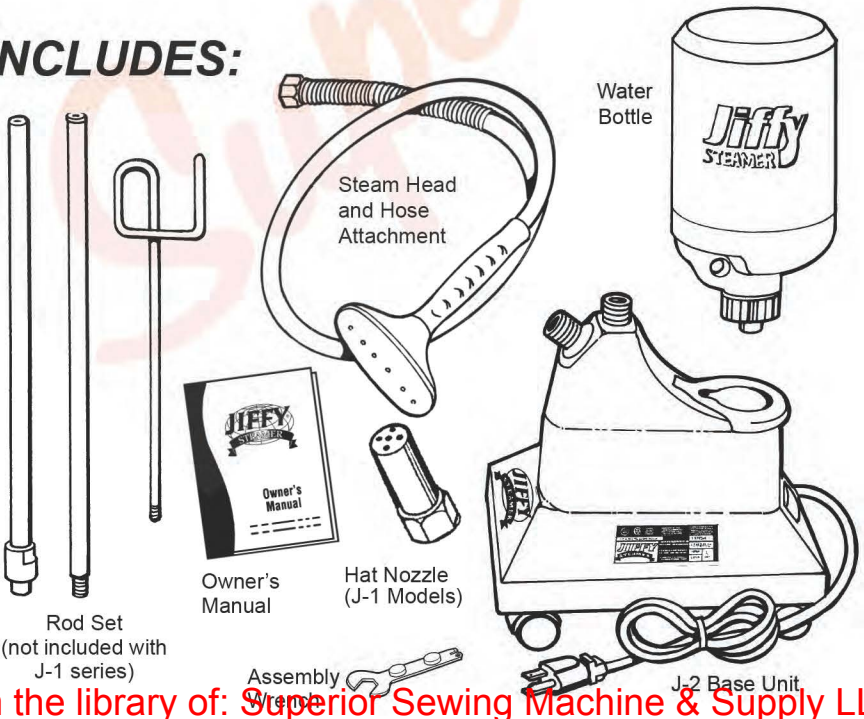


Jiffy® J-1/J-2/J-200 Model Steamer

FEATURES

- Cast aluminum housing for durability (Models J-1 and J-2)
- High impact polymer housing (Model J-200)
- Lightweight, flexible hose - Models J-2/J-200 (J-1 series utilizes a brass hat nozzle)
- Shatterproof water bottle
- Safety wiring feature temporarily turns the unit off if it accidentally runs dry
- Comfortable, easy-to-grip handle
- Removes wrinkles up to five times faster than conventional ironing
- Easy-roll casters for mobility (casters not included with J-1 series)
- Numerous steam head attachments available
- 120 Volt or 230 Volt units available
- Backed by Jiffy®'s renowned customer service--*should your steamer need repair, send it to us and we will repair and ship the unit within 24 hours from its arrival to our plant*

INCLUDES:



Jiffy® J-1/J-2/J-200 Model Steamer Directions

1. For J-2/J-200 models, attach hose firmly with included assembly wrench, which is magnetized and located on the bottom of the unit (figure #1). Assemble and attach hose hanger rod set. See page 9 for assembly instructions. For J-1 models, the brass hat nozzle should already be attached. There is no rod set for J-1 models.



Figure 1

2. Invert bottle of fresh tap or distilled water, plug into proper voltage outlet, turn switch to lighted ON position and you will have steam within minutes. Never substitute the Jiffy® Steamer water bottle.



Figure 2

3. For easy operation, mount optional Jiffy® Steamboard to door or wall to hold clothing while steaming (figure #2). For hanging garments without optional Jiffy® Steamboard, simply install an eye screw or nail to inside of a doorway or directly onto a wall or you may use steamer's rod set as shown in figure 3. Touch material lightly with steaming head and wrinkles will vanish instantly. The combined touch of the steaming head and the direct steam is very important. Some articles can be steamed better from the underneath side. Speed and efficiency is accomplished with a little practice. Always steam with hose in an upright position, so any condensation is free to flow back into steamer. If steaming in a low position near floor, extend hose up and out frequently to keep clear of condensation. **DO NOT ALLOW STEAMER TO RUN DRY.**



Figure 4

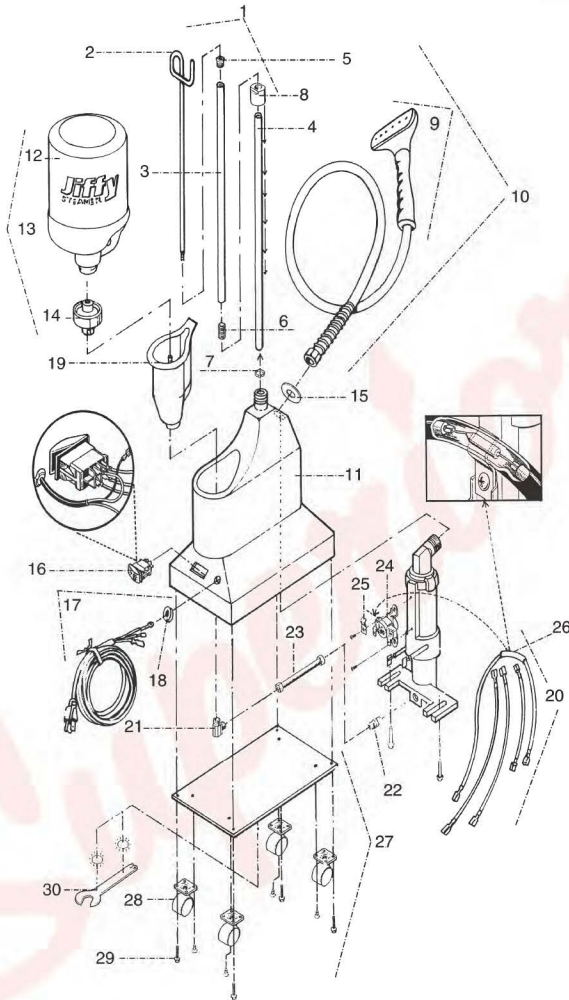
4. Hang steam head in an upright position in the hose hanger section when not in use and turn switch to OFF (figure #3).
5. Periodically, pour old water out of steamer to avoid sediment buildup and maintain proper water level (figure #4). Remove hard water deposits with Jiffy® Liquid Cleaner. See page 28 for complete cleaning instructions.



Figure 3

NOTE: No two water supplies have the same mineral content. If your steamer begins to cut on and off during normal use, the thermostat is indicating the heat in unit is ready to see. See page 28 for complete cleaning instructions.

Jiffy® J-1/J-2/J-200 Parts Diagram



Should you ever need replacement parts for your Jiffy® Steamer, you may purchase them separately. Use this handy diagram and parts list to identify any part you may need. Please include model and serial number when ordering.

| Jiffy Steamer | | | List Price |
|---------------|--------|---|------------|
| Key# | Part # | Part Description | |
| 1 | 1030 | Rod Set and Nut Complete with Metal Studs | \$ 25.50 |
| | 0031 | Hose Hanger Rod Set with Adapter Complete | \$ 25.50 |
| | 0031A | Hose Hanger Rod Set without Adapter Complete | \$ 21.50 |
| | 0041 | Base Adapter with Thumb Screw (for Old Style Rods Sets) | \$ 4.00 |
| | 0035 | Hook Section of Rod Set | \$ 6.50 |
| 2 | | | |

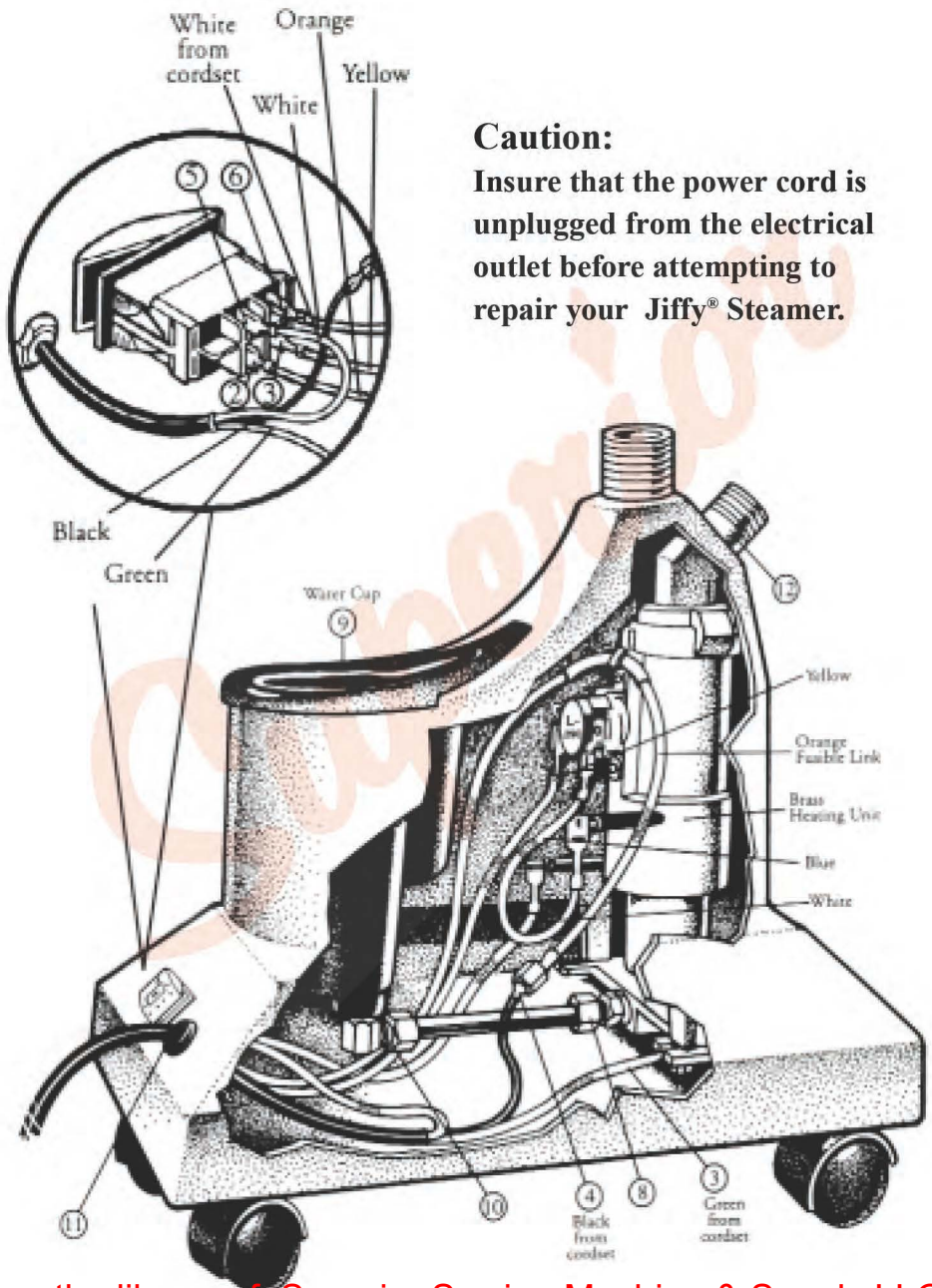
From the library of: Superior Sewing Machine & Supply LLC

Jiffy® J-1/J-2/J-200 Parts Diagram Key

| | | | |
|--------------------|-------|---|----------|
| 3 | 0036 | Middle Section of Rod Set | \$ 7.50 |
| 4 | 0037 | Bottom Section of Rod Set | \$ 7.50 |
| 5 | 0043 | Metal Threaded Cap Screw for Rod Set | \$ 1.50 |
| 6 | 0039 | Metal Threaded Stud for Rod Sections | \$ 1.50 |
| 7 | 1031 | 1/2" Split Ring for Rod Set | \$ 0.50 |
| 8 | 1032 | Rod Set Nut | \$ 6.00 |
| 9 | 0253 | Plastic Steam Head/Handle Replacement Kit | \$ 22.00 |
| 10 | 0251 | Plastic Head/Handle Hose Attachment Complete | \$ 50.00 |
| | 0280 | Hose Per Foot (Black in Color) | \$ 3.00 |
| 11 | 0002 | Painted Die Cast Aluminum Housing | \$ 51.50 |
| | 0023 | Plastic Water Bottle "A" with Cap | \$ 6.50 |
| | 0027 | Replacement Cap for Water Bottle "A" | \$ 0.75 |
| 12 | 0026A | Plastic Water Bottle "B" without Check Valve Cap | \$ 5.75 |
| 13 | 0025 | Plastic Water Bottle "B" with Check Valve Cap | \$ 9.50 |
| 14 | 0027A | Replacement Check Valve Cap for Water Bottle "B" | \$ 3.75 |
| 15 | 0004 | Round Beauty Ring | \$ 0.75 |
| | 0122 | Toggle Switch (3 Pieces) | \$ 7.50 |
| | 0127 | Red Neon Pilot Light with Lock Ring 120 Volt | \$ 4.00 |
| | 0128 | Red Neon Pilot Light with Lock Ring 230 Volt | \$ 4.00 |
| 16 | 1125 | Green Lighted Contura Rocker Switch 120 Volt | \$ 9.00 |
| | 1126 | Green Lighted Contura Rocker Switch 230 Volt | \$ 9.00 |
| 17 | 0132 | Cord Set (16/3 gauge) with Strain Relief | \$ 9.50 |
| 18 | 0146B | Cord Strain Relief | \$ 1.50 |
| 19 | 0028 | Water Cup with 90 Degree Brass Fitting | \$ 18.00 |
| | 0147 | Internal Wire Set for Models with Front Red Light | \$ 9.00 |
| 20 | 0148 | Internal Wire Set for Models with Green Contura Rocker Switch | \$ 9.00 |
| | 0596 | Heating Unit Kit (wiring included) for Models with Front Red Light - 120 Volt Cord Set and 4" Water Line | \$ 81.50 |
| | 0177A | Heating Unit Kit (wiring included) for Models with Front Red Light - 230 Volt Cord Set and 4" Water Line | \$ 81.50 |
| | 0597 | Heating Unit Kit (wiring included) for Models with Green Lighted Rocker Switch - 120 Volt Cord Set and 4" Water Line | \$ 81.50 |
| | 0597A | Heating Unit Kit (wiring included) for Models with Green Lighted Rocker Switch - 230 Volt Cord Set and 4" Water Line | \$ 81.50 |
| | 0161A | Heating Unit Assembly (no wiring included) - 120 Volt and 4" Water Line | \$ 62.50 |
| | 0162A | Heating Unit Assembly (no wiring included) - 230 Volt and 4" Water Line | \$ 62.50 |
| 21 | 0030 | Brass 90 Degree Elbow Joint | \$ 2.50 |
| 22 | 1130 | 3/8" x 1/4" Straight Brass Fitting for Heating Element Housing | \$ 2.50 |
| 23 | 0187 | Copper Tube (4" length) with Nuts and Compression Rings | \$ 4.00 |
| 24 | 0160 | L-290 Thermostat | \$ 8.00 |
| 25 | 0195 | Fusible Link Clamp | \$ 1.50 |
| 26 | 0151 | Fusible Link Wire with Insulated Lug | \$ 3.00 |
| 27 | 0009 | Bottom Plate with Casters | \$ 13.50 |
| 28 | 0011 | Bottom Plate Casters (Set of 4) | \$ 6.50 |
| 29 | 0010 | Screws for Bottom Plate (4 Screws Total) | \$ 0.75 |
| ACCESSORIES | | | |
| 30 | 1050 | Jiffy Steamer Assembly Wrench | \$ 4.00 |
| | 0274 | Brass Hat Nozzle Attachment | \$ 13.00 |
| | 0254 | Metal Head/Wood Handle Hose Attachment Complete | \$ 70.00 |
| | 0256 | Metal Head / Wood Handle Only | \$ 37.50 |
| | 0269 | Replacement Wooden Handle (for Metal Steam Heads) | \$ 7.00 |
| | 0262 | Wig Hose Attachment | \$ 50.00 |
| | 1062 | Steam Cleaning "B" Brush Hose Attachment | \$ 50.00 |
| | 1063 | Brush Only for the B" Hose Attachment | \$ 8.00 |
| | 0898 | Liquid Cleaner - 3 Ten (10) Ounce Bottles per Package* | \$ 15.00 |
| | | *Not Available for Export. | |

J-1/J-2/J-200

Jiffy® J-1/J-2/J-200 Wiring Diagram



Caution:

Insure that the power cord is unplugged from the electrical outlet before attempting to repair your Jiffy® Steamer.

Jiffy® J-1/J-2/J-200 Wiring Instructions

Please note switch terminal numbers 2, 3, 5 and 6 indicated on the enlarged switch diagram are marked on the actual switch. Jiffy® Steamers manufactured before May 2000 are not marked with the terminal switch numbers, but the terminal blades are in the same location.

1. Insert cordset into housing and connect white neutral wire from cordset bundle to terminal number 5 on the switch.
2. Connect blue wire from the right side of heating element to the right side of the L-290 thermostat.
3. Insert brass heating unit into housing and tighten with 2 mounting screws. Connect green ground wire (from cordset) to the nearer of the two mounting screws. (In older J-2s, groundwire may also be attached to internal boss of housing.)
4. Connect black positive wire from cordset to plastic connector on orange fusible link wire.
5. Connect other end of orange fusible link to terminal number 2 on the switch.
6. Connect yellow wire from the left side of the thermostat to terminal number 3 on the switch.
7. Connect white wire from the left side of the heater unit to terminal number 6 on switch.
8. Insert one end of copper water line and compression ring into threaded fitting at bottom of brass heating unit and tighten nut with a $\frac{5}{8}$ " wrench.
9. Connect other end of water line with compression ring to 90 degree brass elbow at bottom of water cup and tighten with a $\frac{5}{8}$ " wrench. (Heating unit may be loosened and adjusted for a better fit if necessary.)
10. Set steamer upright and place black plastic strain relief approximately $4\frac{1}{2}$ " from end of cord and insert into housing using pliers.
11. Secure bottom plate with four screws.
12. To avoid leakage, be sure and tighten hose (or hat nozzle) with wrench before using steamer.